

Presentation

RF Chipset for 900MHz Digital Cordless Telephone

The Components



U7001BG GaAs Frontend

U2783B Twin PLL

U2760B RX/TX

U3770M I/Q Modulator



U7001BG GaAs Frontend

U2783B Twin PLL

U2762B RX/TX

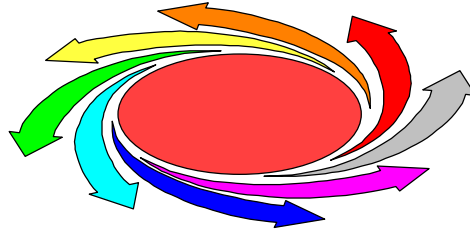
The Functions



- **U7001BG** **GaAs frontend with LNA, PA, Antenna switch**
PA o/p: 16dBm/3V, 18dBm/5V; SS0 20
- **U2760B** **RX/TX IC for CT2/CT2+, 3V supply, SSO28**
- **U2762B** **RX/TX IC for Narrow Band, 3V supply, SSO28**
- **U2783B** **Twin PLL, 3V/10mA, f_{\max} 400/1250MHz, SSO 20**
- **U3770M** **I/Q modulator for CT2/CT2+, 3V supply, SO16**

Features and Benefits

Features



- **Optimized RF chipset for CT2/NR**
- **3-Volt low current design**
- **Adjust.-free, few extern. components**
- **Design-in support, test boards**

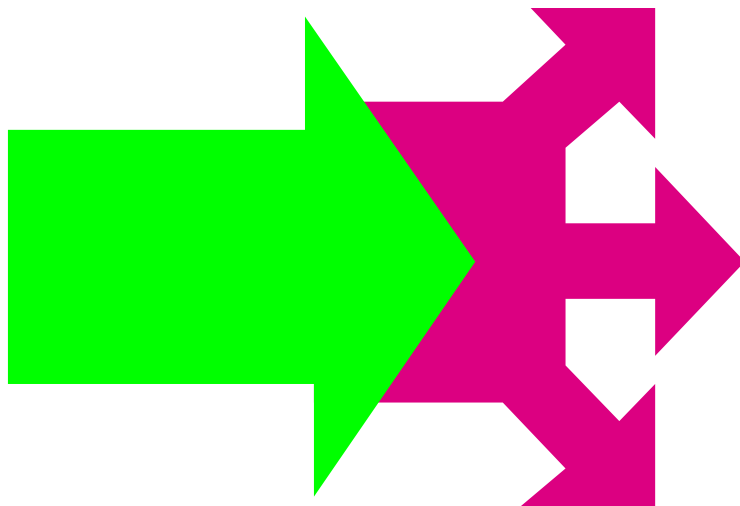
Benefits

- **Short design-in time, low risk**
- **Operation with 2 or 3 batteries, long talk time**
- **Easy to manufacture, cost saving**
- **Short time-to-market**

Chipset current consumption at 3Volt

	RX mode	TX mode
U7001BG	4mA	35mA
U2762B	20mA	17mA
U2783B	10mA	10mA
Ext. VCO1	1.5mA	1.5mA
• Total	35.5mA	63.5mA

Key Applications



- **Digital Cordless Phone (NR), NA**
- **CT 2+ Digital Cordless Phone, NA**
- **CT 2 Europe , Asia/Pacific**

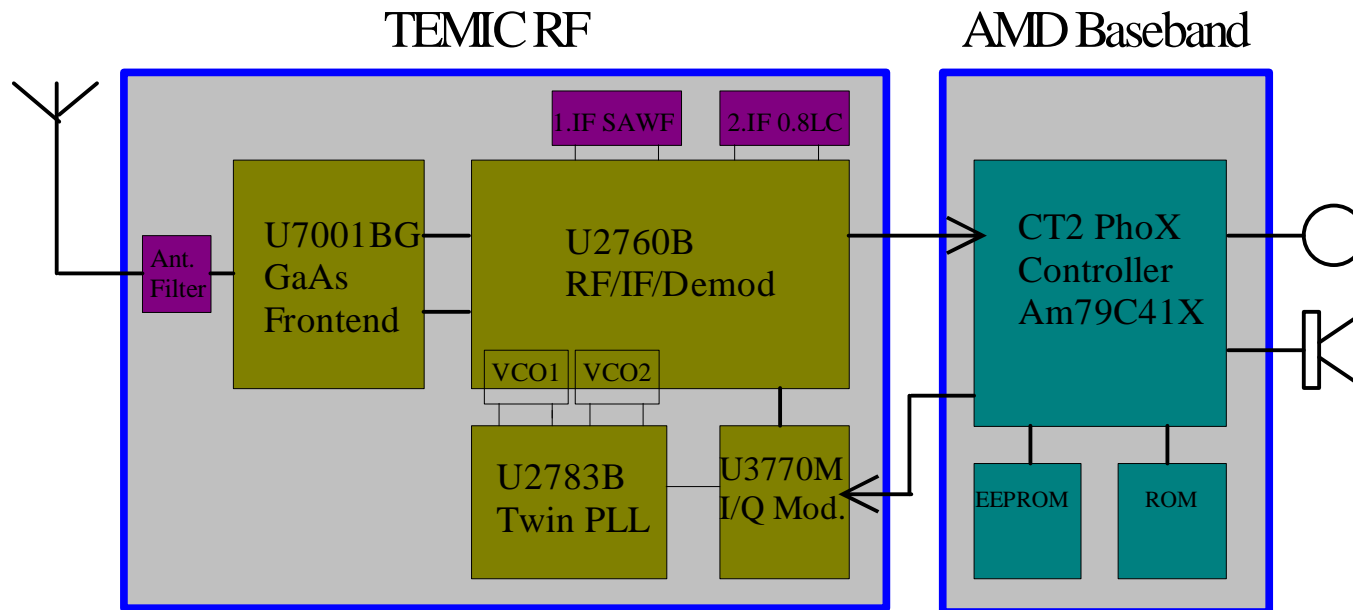
Product Status

	Samples	Delivery start
U7001B	OK	OK
U2760B	OK	OK
U2762B	OK	Oct.'96
U2783B	OK	OK
U3770M	OK	OK

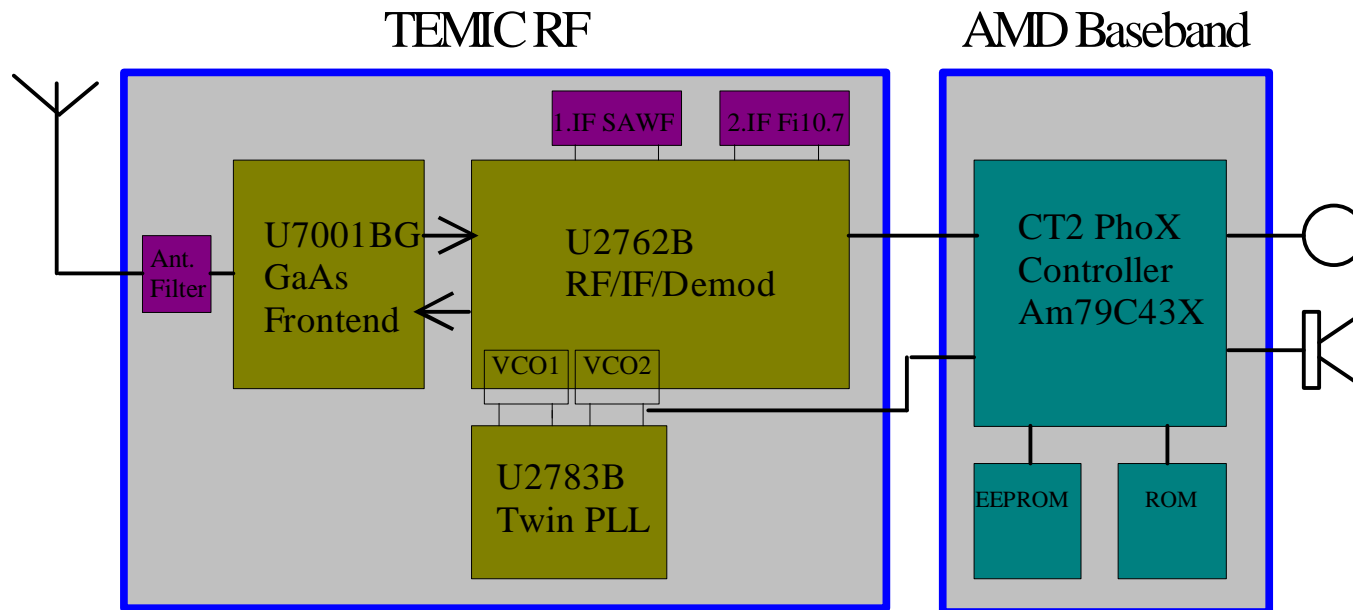
Price Indication qty. p.a. in US\$

	50k+	100k+	200k+
U7001BG	2,94	2.80	2.67
U2760B	3,87	3.52	3.20
U2762B	3,87	3.52	3.20
U2783B	2,99	2.72	2.47
U3770M	1,21	1.10	1.00

Block diagram CT2 application



Block diagram Narrow Band application



Frequency Allocations

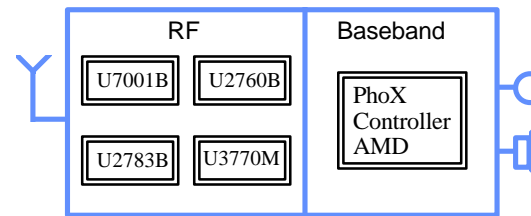
Europe CT-2 (ETSI)	864 - 868 MHz
North America ISM Band (NR, SS)	902 - 928 MHz
North America CT-2+	930 - 931 MHz 940 - 941 MHz
Korea CT-2	910 - 914 MHz
Taiwan CT-2	864 - 868 MHz
China CT-2	839 - 843 MHz

Sales Tools

Demo and Testboards

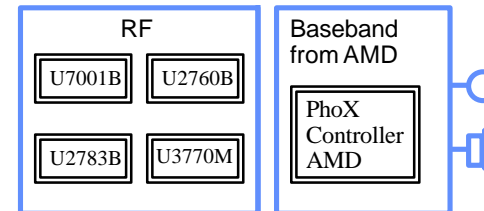
A-Board (CT2)

Complete working CPP
demo board



B-Board (CT2)

RF test board with
U2760B/2783B/7001BG/3770M



C-Board (CT2)

RF test board with
U2760B/2783B

D-Board (NR)

U2762B/2783B

